

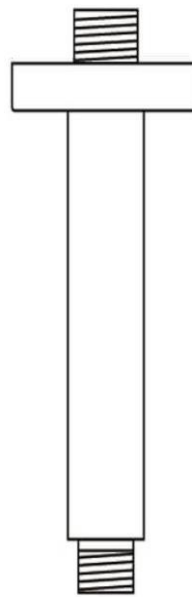
USER MANUAL



Thank you for choosing Better Bathrooms.
Please read this manual before installing your product
and keep for future reference.



Ceiling Shower Arm



Please note: Image is for illustrative purposes only and may differ slightly to the actual product

- **Single-person assembly**
- **Tools required**
- **We always recommend using professional tradespeople to install your product**

V1_11.6.20

Congratulations on your purchase

And welcome to our growing gang of savvy shoppers

We're on a mission to bring you extraordinary bathroom products, for less. From modern to traditional style ceramics, plus the gorgeous fixtures, fittings and furniture to match. So, you can fall in love with your space every single day.

As one of the UK's largest independent bathroom stores, we've received countless awards; including the National Business Awards UK, the Digital Entrepreneur Awards and being placed on The Sunday Times Fast Track 100.

We hope your new product exceeds your highest expectations. However, if you experience any problems, please:

- call our friendly UK call centre on **0871 244 0935** (9am-7pm Monday to Friday, or 10am-4pm Saturday and Sunday), or
- send us a message via **customerservices@buyitdirect.co.uk**

Important information

- Please read these instructions thoroughly and retain for future reference.

Parts

Shower arm

Trim plate

Pipe fitting – ½" female (not supplied)

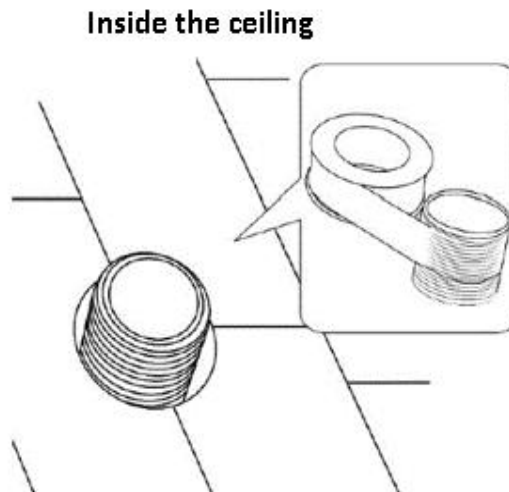
Tools required

PTFE tape

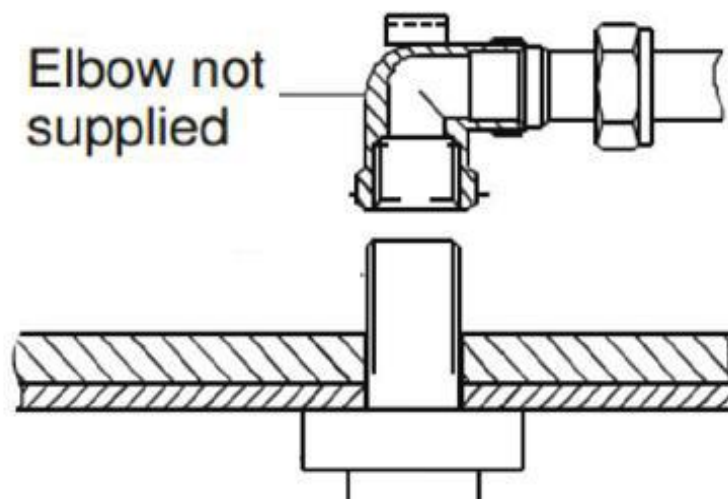
Installation

Please note: The pipework and connection method should be prepared within the ceiling
Recommended method is to secure the arm to a wall elbow which has been fixed to a wooden batten in the ceiling.

1. Fit the trim plate onto the arm then apply sufficient PTFE tape to the thread of the shower arm which will go into the ceiling.



2. Once PTFE has been applied push the shower arm into the hole in the ceiling and connect it to the elbow then turn the shower arm into the elbow until a seal is created.



3. Once fitted and checks have been carried out for leaks, push the trim plate back to the ceiling. Silicone can be applied behind to prevent moisture passing behind the trim plate.

Cleaning

To maintain the surface finish of your product, wipe clean after every use, using a clean damp cloth, a mild detergent mixture can be used. Do not use abrasive cleaning agents or materials on the product surface.

If any harsh chemicals come into contact with the surface of the product during bathroom cleaning, rinse off immediately, wipe clean and dry.

For more information

- visit betterbathrooms.com
- email customerservices@buyitdirect.co.uk
- call 0871 244 0935
- write to Trident Business Park, Neptune Way, Huddersfield, HD2 1UA

Better
bathrooms.com 

Part of the BuyItDirect Group